

GENERAL NOTES

This mixer should be installed in accordance with water regulations. Approved check valves should be fitted where required. For further details please contact your local water authority. Should the mixer fail to operate effectively it may be that there is insufficient water pressure. Similarly, hot & cold water supplies should be relatively balanced for optimum performance. A reputable plumber will be able to advise on each of these issues.

AFTERCARE INSTRUCTIONS

Whilst this item has a high quality durable finish, it should nevertheless be treated with care. Surfaces should be cleaned using only a soft damp cloth and clean water & dried using a soft cotton cloth. Bath cleaning products, even non-scratch ones could damage the finished surface.

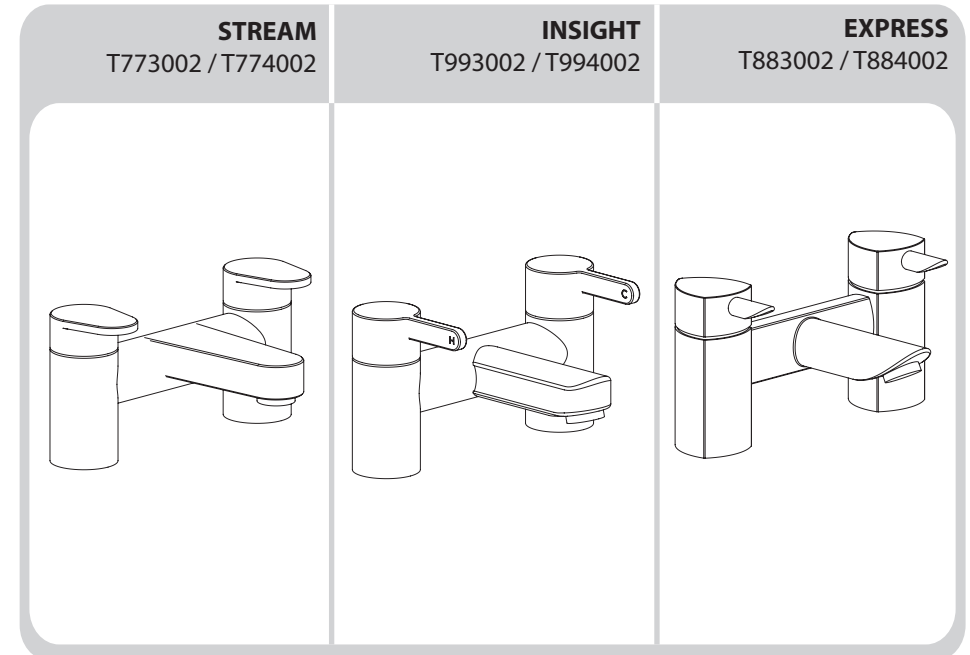
10-YEAR GUARANTEE

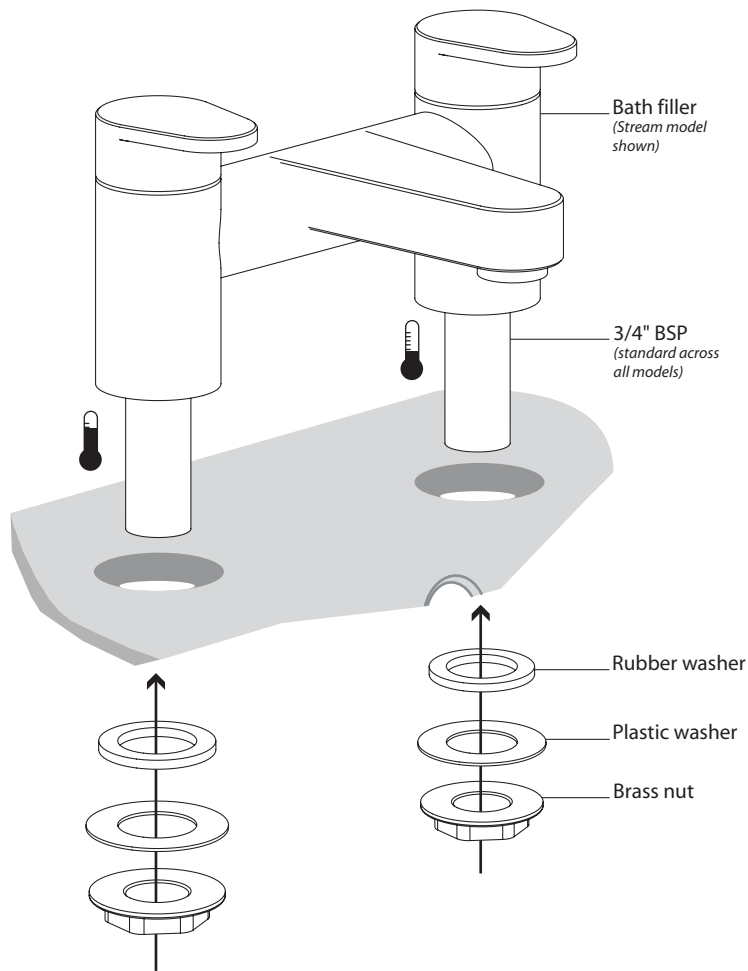
We have complete confidence in this Roper Rhodes product and as such it is offered with a 10-year guarantee against defects in manufacture. The guarantee requires that this product be used in the manner for which it was intended and that it is installed & maintained in accordance with the fitting instructions and local water bylaws. The guarantee covers products in domestic use only. The guarantee is invalidated should the mixer be damaged by water borne debris. Make sure that supply pipes are clear of any debris prior to installation, this is particularly important on new plumbing installations. In the unlikely event that this product should fail during the guarantee period we will either replace the faulty part or the complete unit as appropriate.



BATH FILLER & BATH / SHOWER MIXER Installation & aftercare instructions

Please retain for future reference





INSTALLATION PROCEDURE

1. Prior to installation flush out the pipe work to remove debris & then ensure that the water supply is turned off.
2. Refer to diagram & check that all components are present.
3. Fit the mixer to the bath using the brass nuts and the washers provided as indicated in the diagram.
4. Connect the hot & cold water supplies using PTFE tape to help create the seal. The hot supply should always be connected to the left hand side.
5. Fully open mixer on both hot & cold sides & allow water to run for approximately one minute to further flush the system.
6. Check all connections for leaks.

Additional Instructions for Bath / Shower Mixers Only

7. Attach the end of the shower hose with the large nut shaped fitting to the bottom of the diverter valve. The other end should be attached to the shower head (see diagram).
8. Establish the desired position for the shower head wall-mounting bracket. Check that the bracket is oriented correctly & that the shower head will reach by placing it temporarily in position. Caution: Before drilling, check for hidden power cables and pipes. Take care using power tools, especially near water. The use of a residual current device (RCD) is recommended.
9. Drill a single 8mm hole in the desired position for the shower head mounting bracket and insert the supplied nylon plug into the hole.
10. Disassemble the wall mounting bracket by unscrewing the cover cap from the cover plate and insert the supplied screw through the centre of the cover plate and screw into the wall, making sure the O-ring is placed between the wall and cover plate. Re-assemble the bracket in the order shown and place the shower head in position.

